



TECHNICAL DATASHEET

ACID STARTER BATTERY

BATTERY TYPE SILVER STANDARD	12V 85Ah	LT85B.0
CATALOGUE NUMBER		

GENERAL PROPERTIES	
Case Type	LB4
Voltage (V)	12 V
Capacity C20	85Ah
Cold cranking current -18°	740A -(EN)
Charge condition	Wet
Technology	Pb - Sb
Weight	21,6Kg (+/-1.5%)

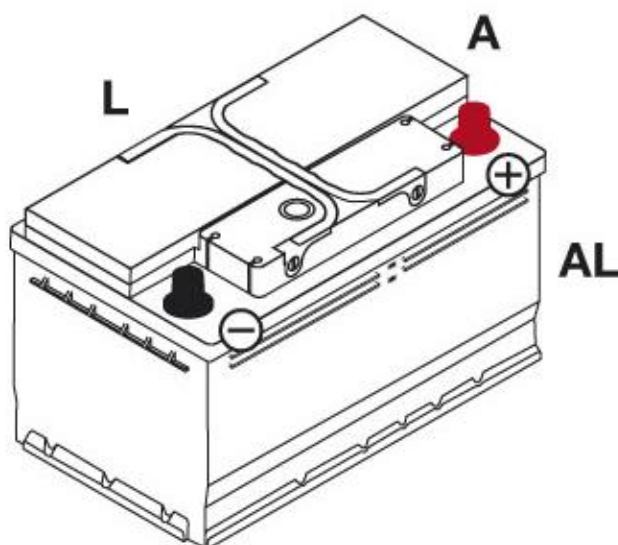
TECHNICAL PROPERTIES	
Overall dimensions	310 x 175 x 175mm
Case material	Polypropylene
Lid material	Polypropylene
Case colour	Black
Lid colour	Black
Degassing system	Central
Charge indicator	No
Terminal type	1 (DIN)
Terminal layout	0
Base hold down	B03

(+) PLATE	
Grid casting technology	Molten grid
Alloy type	Pb-Sb

(-) PLATE	
Grid casting technology	Molten grid
Alloy type	Pb - Sb

SEPARATOR	
Type	Envelope
Material	Polyethylene HP

ELECTROLYTE	
Electrolyte	1.270 (+/-0.01g/cm ³)



NORMA DURACION DE VIDA CEI - EN - 50342-1

Fabricado en C.E. según las normas ISO 9001 – ISO 14001 e I.P.C.C.